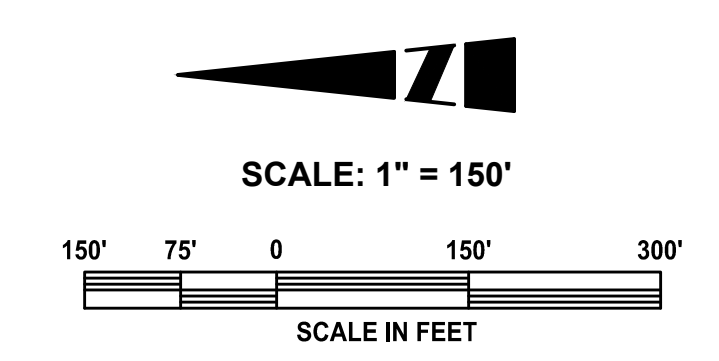
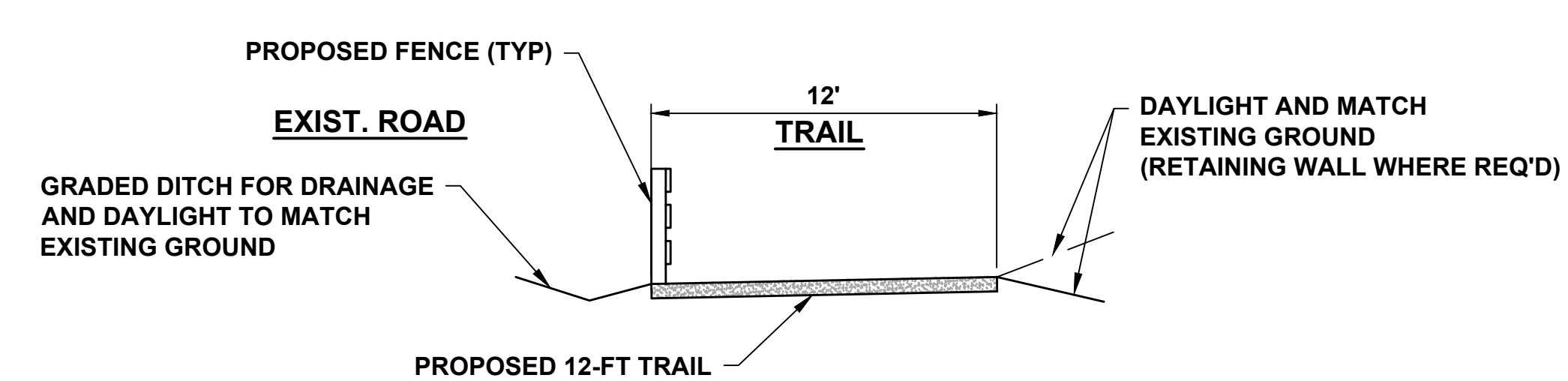
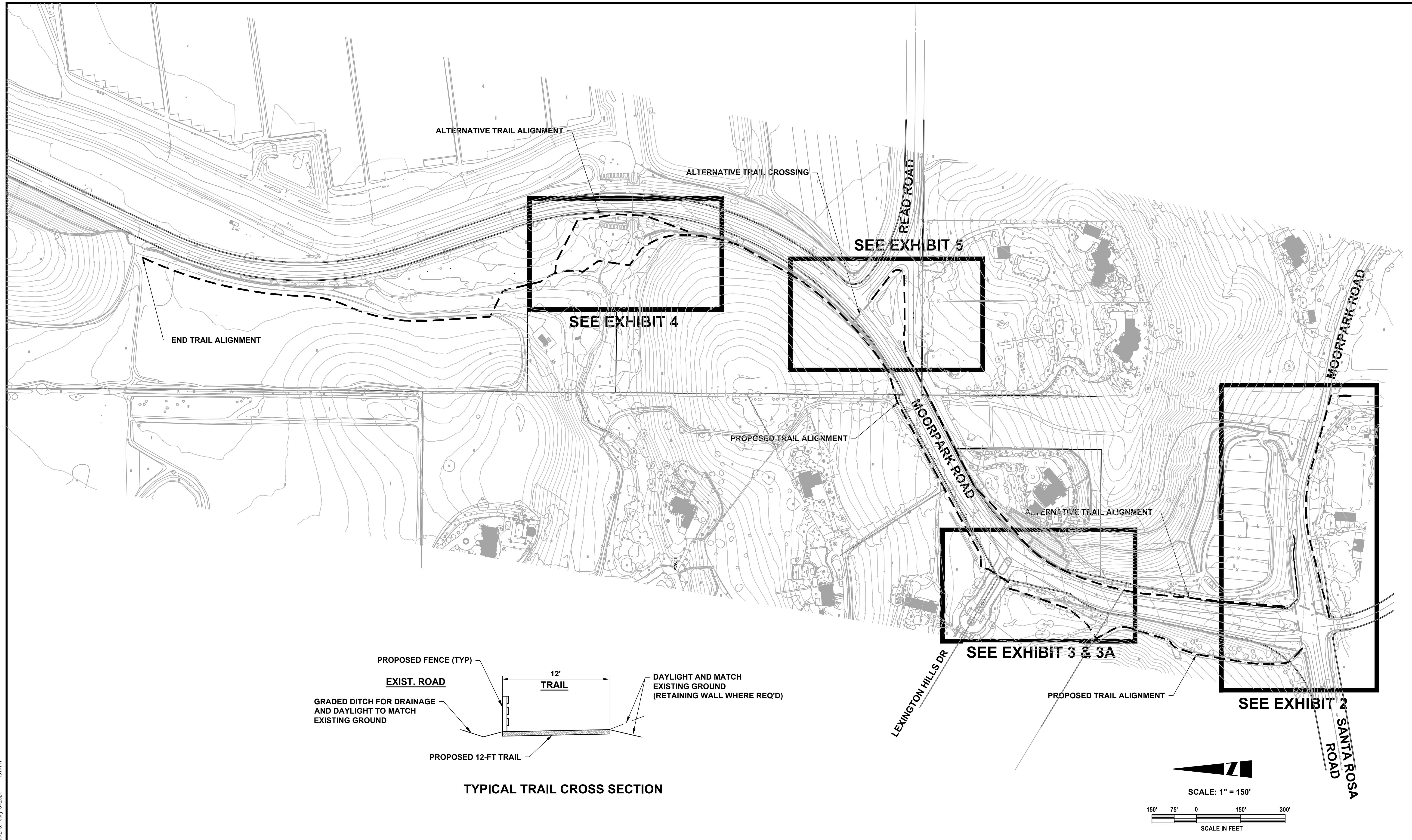


DWS: C:\Users\Chris\OneDrive\Work\Projects\101-SHEET-OVERALL.dwg
 USER: chris.leck
 DATE: Jun 10, 2021 6:52am
 XREFS: bdy, 04220, 191611



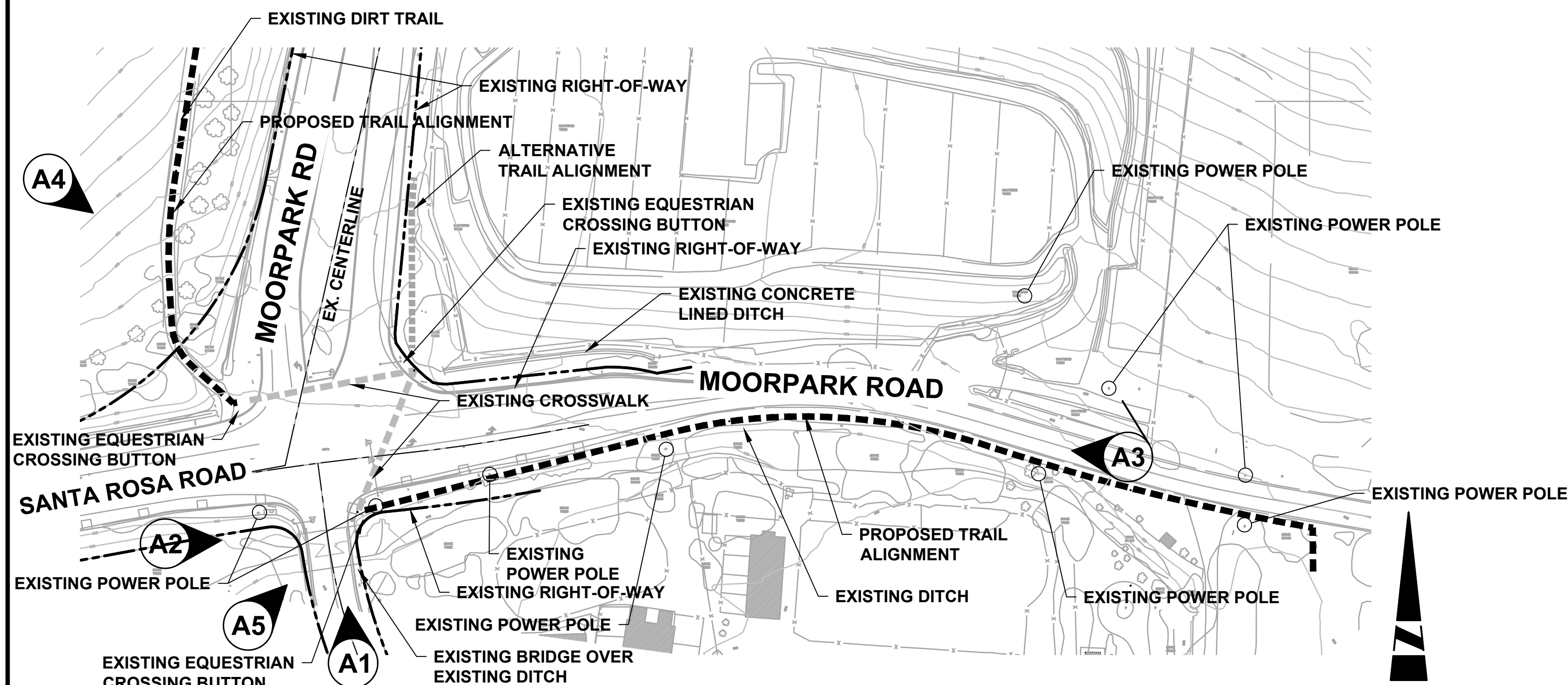
VERIFY SCALES
 BAR IS ONE INCH ON ORIGINAL DRAWING
 0 1
 IF NOT ONE INCH ON THIS SHEET,
 ADJUST SCALES ACCORDINGLY

PREPARED BY:
 PHOENIX CIVIL ENGINEERING, INC.
 535 E. MAIN STREET
 SANTA PAULA, CA 93060
 (805) 658-6800

REGISTERED CE	60214	EXP.	6-30-18	DATE
REV.	SYM.	DESCRIPTION	R.C.E.	DATE
-	-	DRAFT SUBMITTAL		6/5/12



MOORPARK WATERSHED, PARKS, RECREATION, CONSERVATION AUTHORITY	
PEDESTRIAN/EQUESTRIAN TRAIL	
EXHIBIT 1 - OVERALL	



TRAIL CROSSING ALIGNMENT AT SANTA ROSA ROAD INTERSECTION

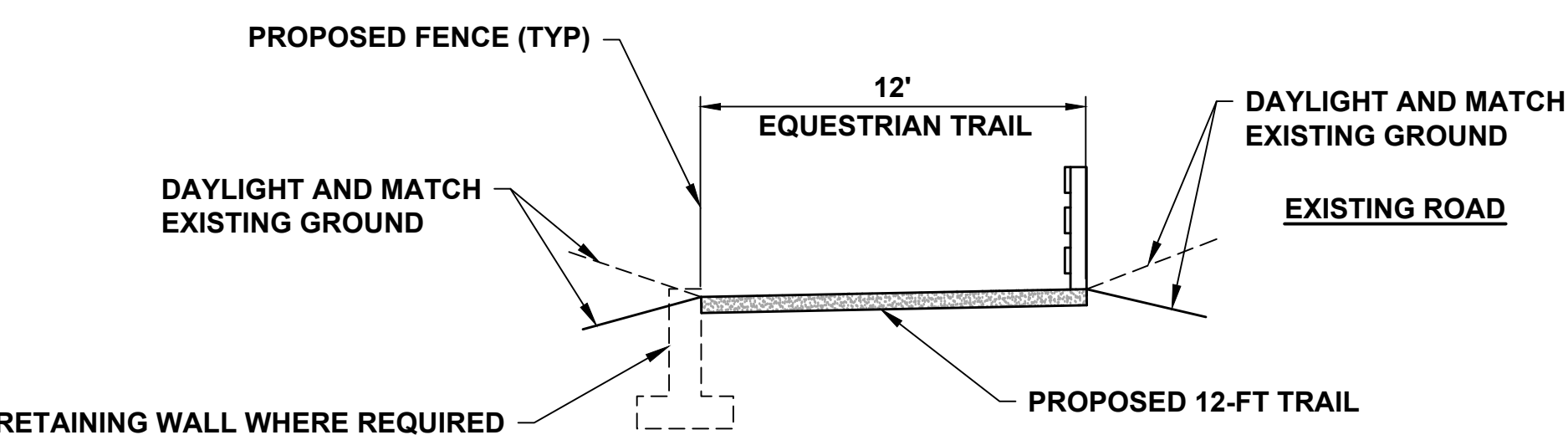
SCALE: 1" = 80'



CONCEPTUAL PERSPECTIVE (LOOKING NORTH) A1



CONCEPTUAL PERSPECTIVE (LOOKING EAST) A2

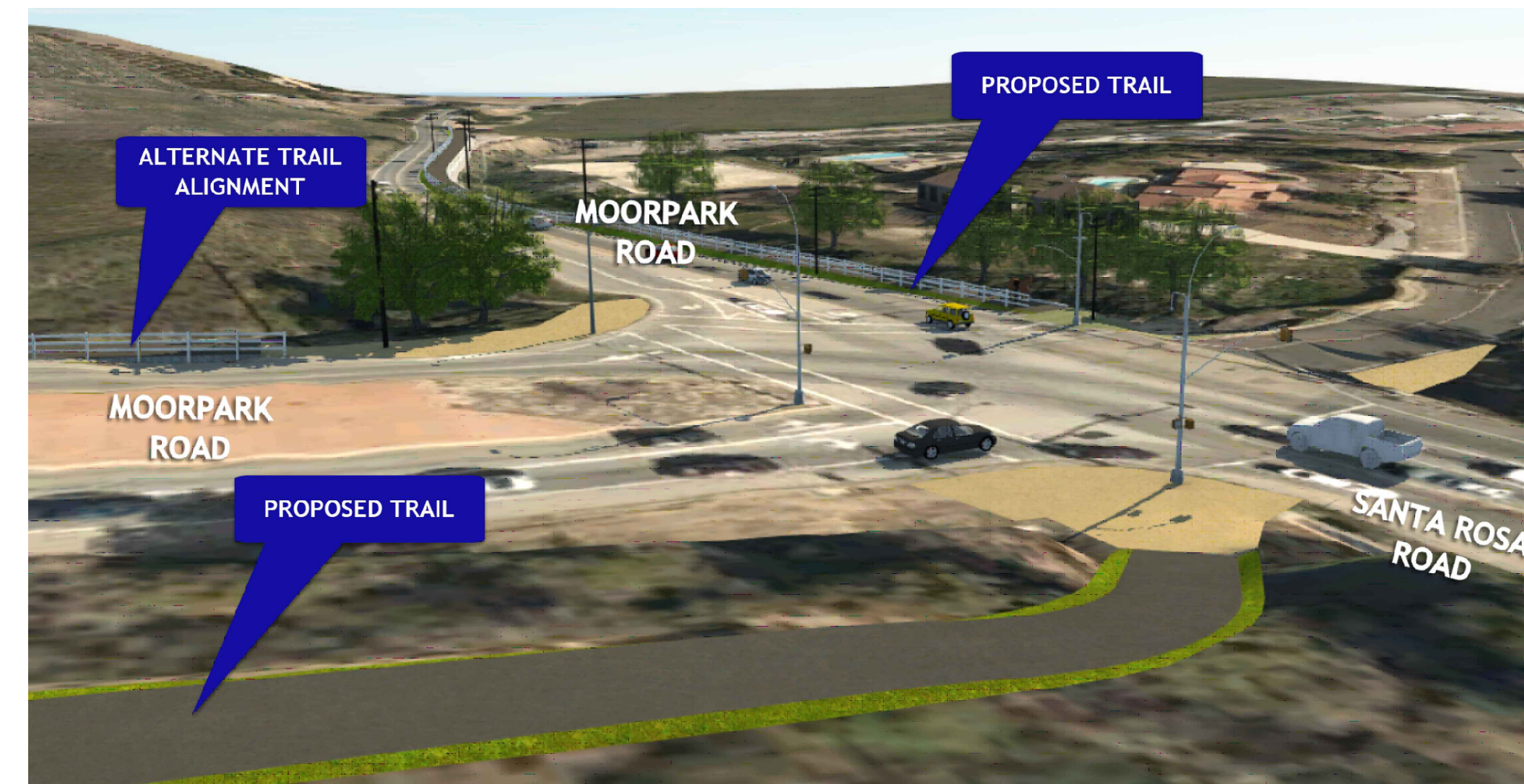


TYPICAL TRAIL CROSS SECTION

VERIFY SCALES
BAR IS ONE INCH ON ORIGINAL DRAWING
0 1
IF NOT ONE INCH ON THIS SHEET,
ADJUST SCALES ACCORDINGLY



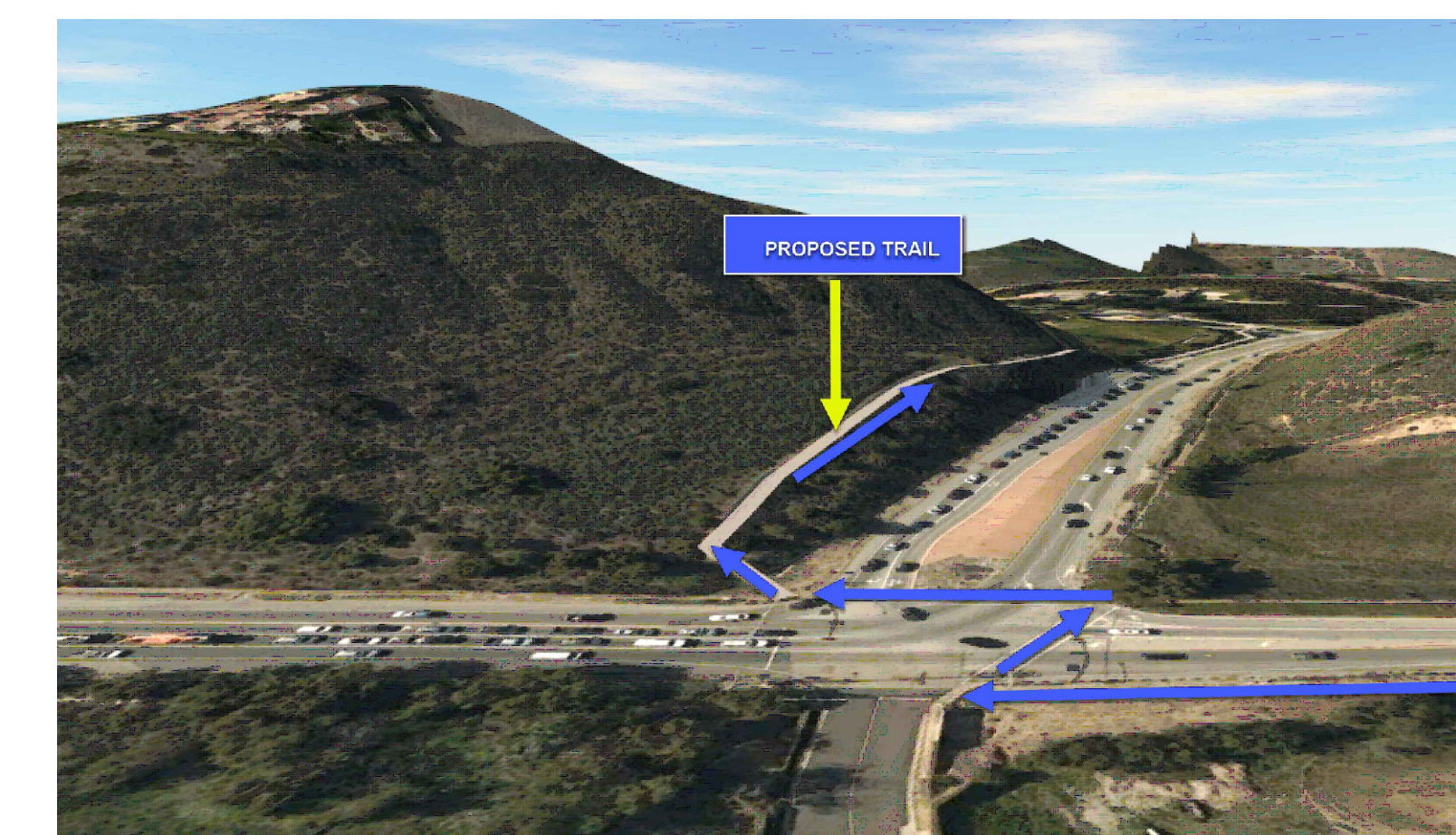
CONCEPTUAL PERSPECTIVE (LOOKING WEST) A3



CONCEPTUAL PERSPECTIVE (LOOKING SOUTHEAST) A4



CONCEPTUAL PERSPECTIVE (LOOKING NORTHEAST) A5

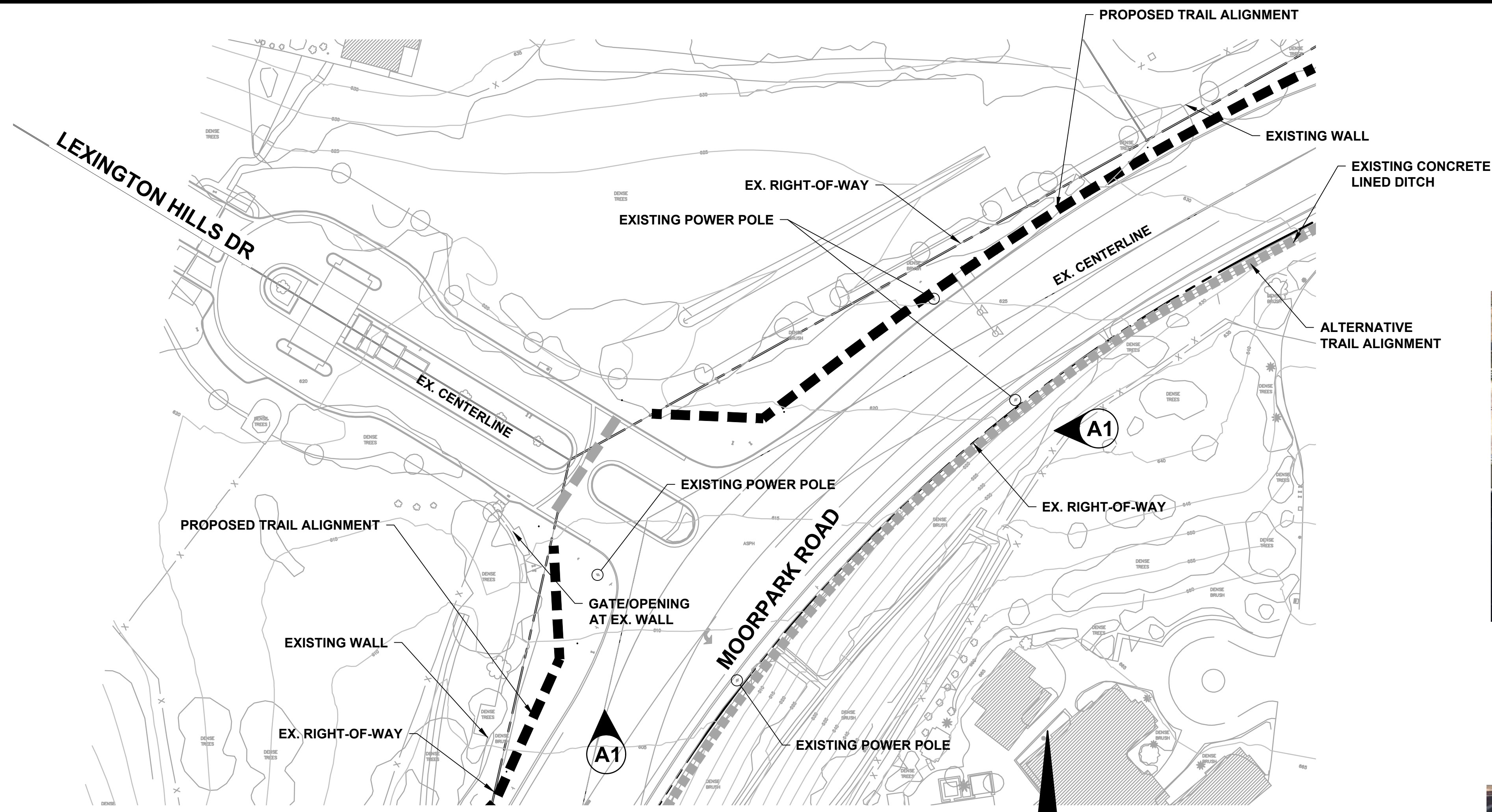


CONCEPTUAL PERSPECTIVE (LOOKING NORTH)

USER: chris.beck
 DATE: Jun 10, 2021 7:03am
 XREFS: bdy_04220
 DWG: C:\Users\Chris\OneDrive\Work\WMPRCA_Trial\CAD\IMPROVEMENTS\02-SHEET-SANTAROSA.dwg
 1916171

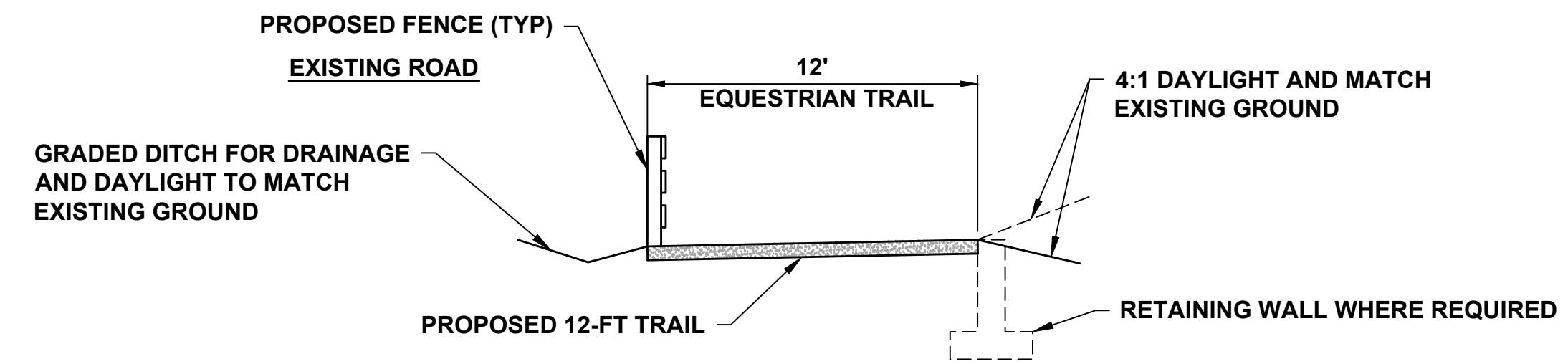
PREPARED BY: PHOENIX CIVIL ENGINEERING, INC. 535 E. MAIN STREET SANTA PAULA, CA 93060 (805) 658-6800			REGISTERED CE 60214 EXP. DATE	
REV.	SYM.		DESCRIPTION	R.C.E. DATE

MOORPARK WATERSHED, PARKS, RECREATION, CONSERVATION AUTHORITY	
PEDESTRIAN/EQUESTRIAN TRAIL	
EXHIBIT 2 - SANTA ROSA	

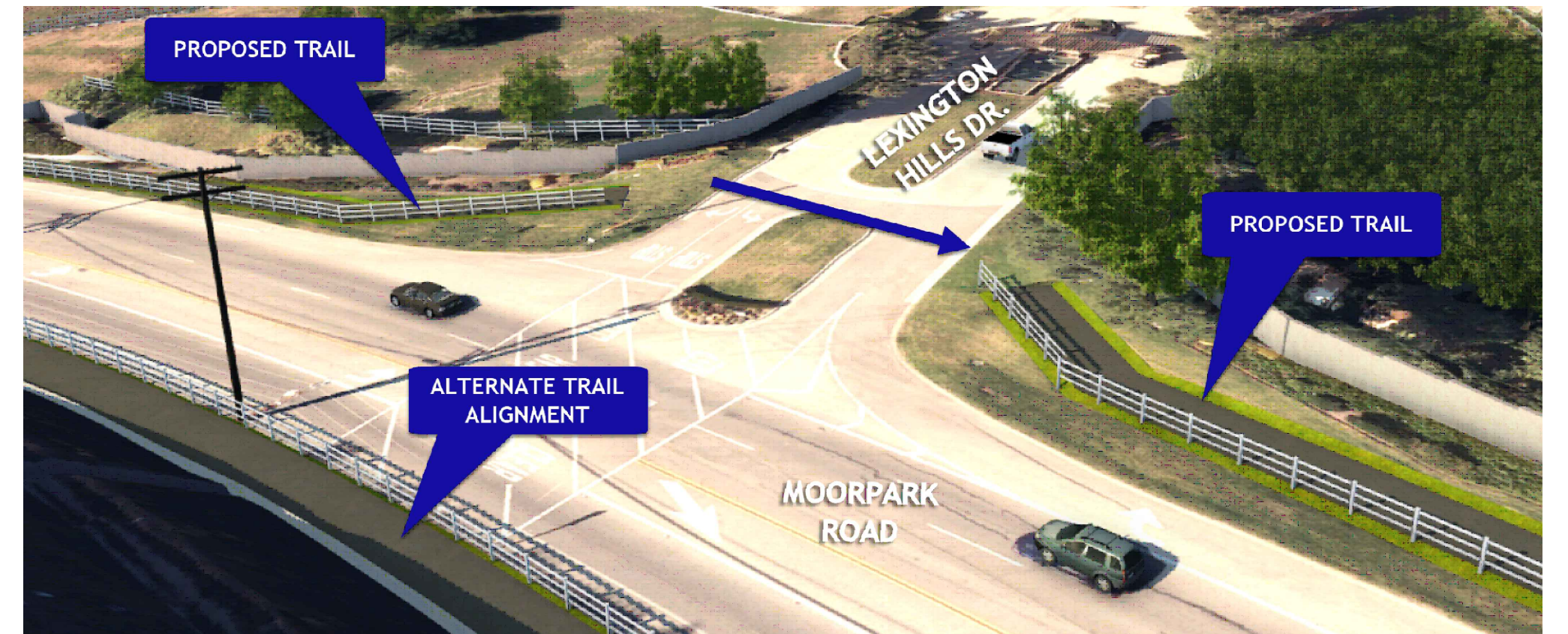


ALTERNATE TRAIL CROSSING AT LEXINGTON HILLS DRIVE

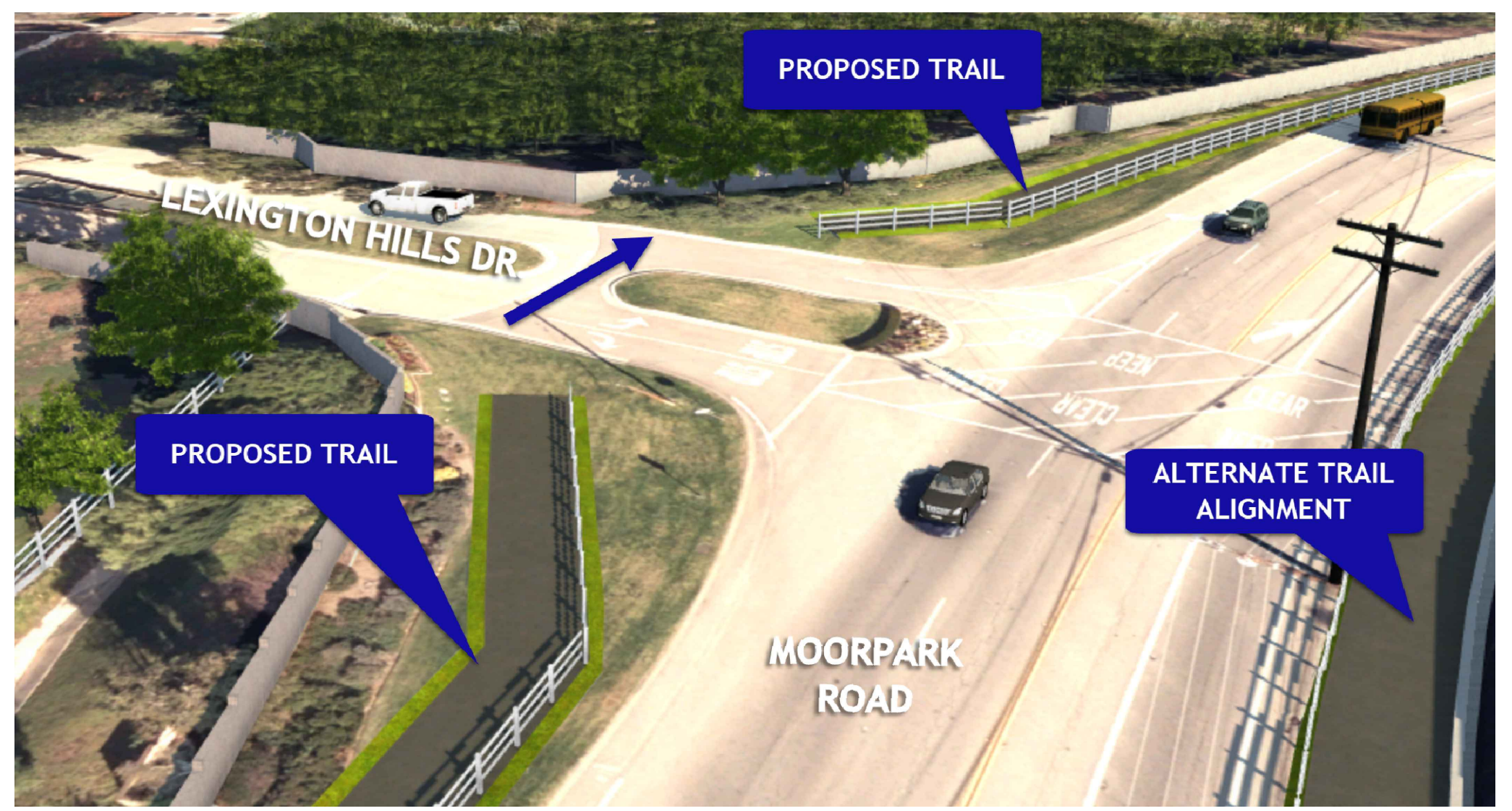
SCALE: 1" = 40'



TYPICAL TRAIL CROSS SECTION



CONCEPTUAL PERSPECTIVE (LOOKING WEST) A1



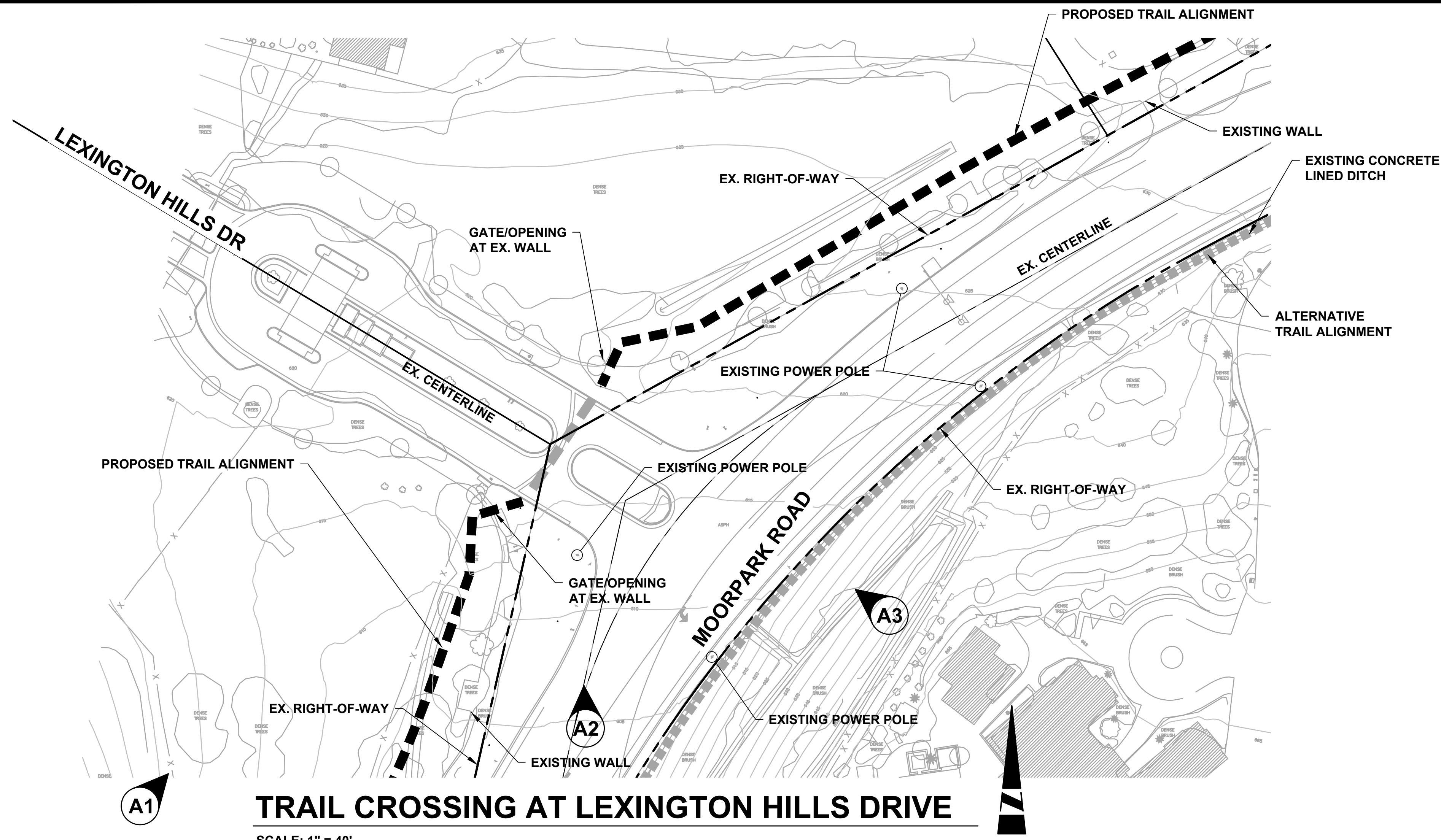
CONCEPTUAL PERSPECTIVE (LOOKING NORTH) A2

USER: chris.leck
 DATE: Jun 10, 2021 7:04am
 XREFS: bdy, 04220
 191611
 DWS: C:\Users\Chris\OneDrive\Work\Projects\WPRCA_Trial\ACAD\IMPROVEMENTS\03A-SHEET-LEXINGTON.dwg

VERIFY SCALES
 BAR IS ONE INCH ON ORIGINAL DRAWING
 0 ——— 1
 IF NOT ONE INCH ON THIS SHEET,
 ADJUST SCALES ACCORDINGLY

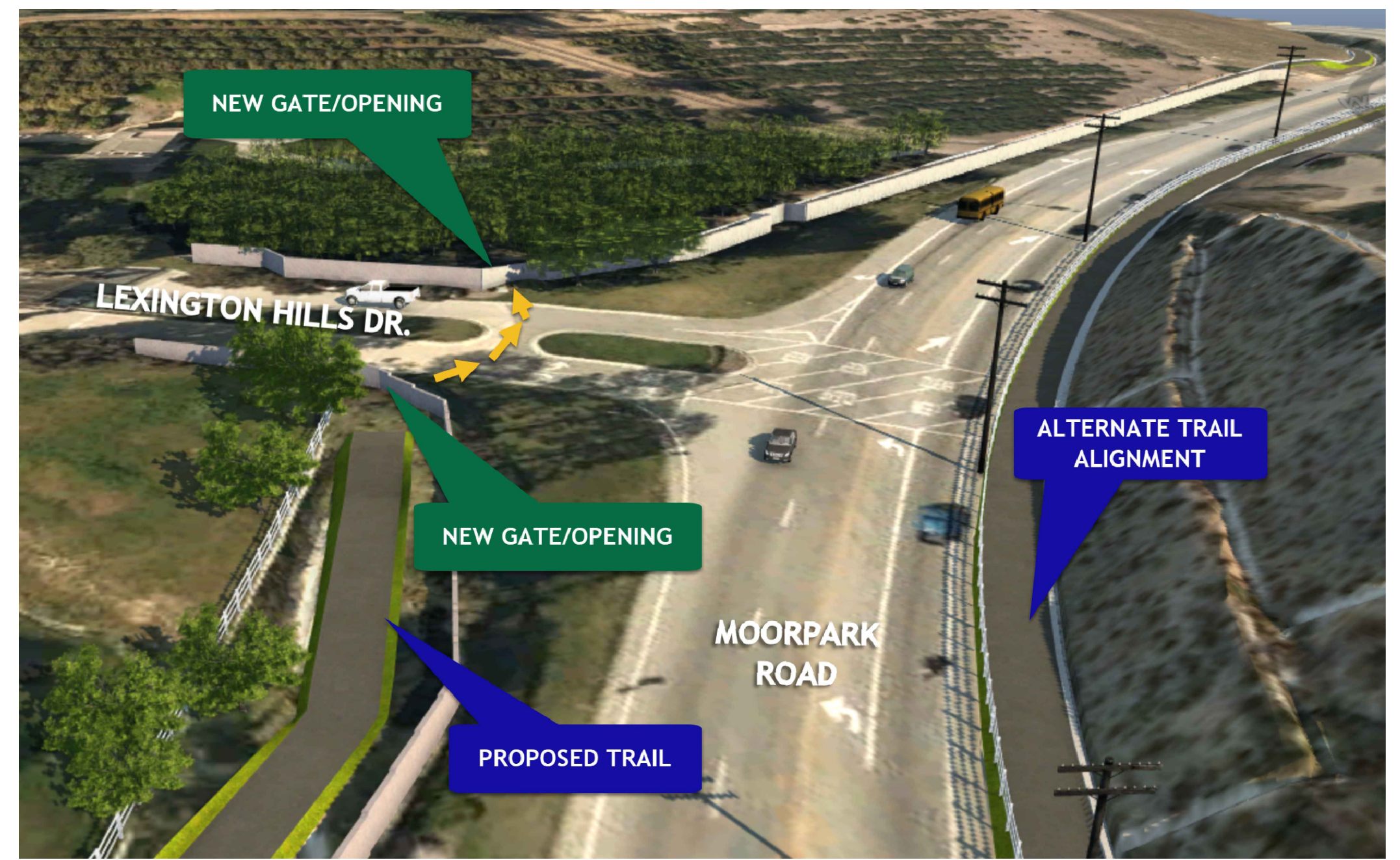
PHOENIX CIVIL ENGINEERING, INC. 535 E. MAIN STREET SANTA PAULA, CA 93060 (805) 658-6800		
REGISTERED CE 60214	EXP. _____ DATE _____	
REV. _____ SYM. _____	DESCRIPTION _____	R.C.E. _____ DATE _____

**MOORPARK WATERSHED, PARKS,
 RECREATION, CONSERVATION AUTHORITY**
 PEDESTRIAN/EQUESTRIAN TRAIL
EXHIBIT 3A - LEXINGTON HILLS DR



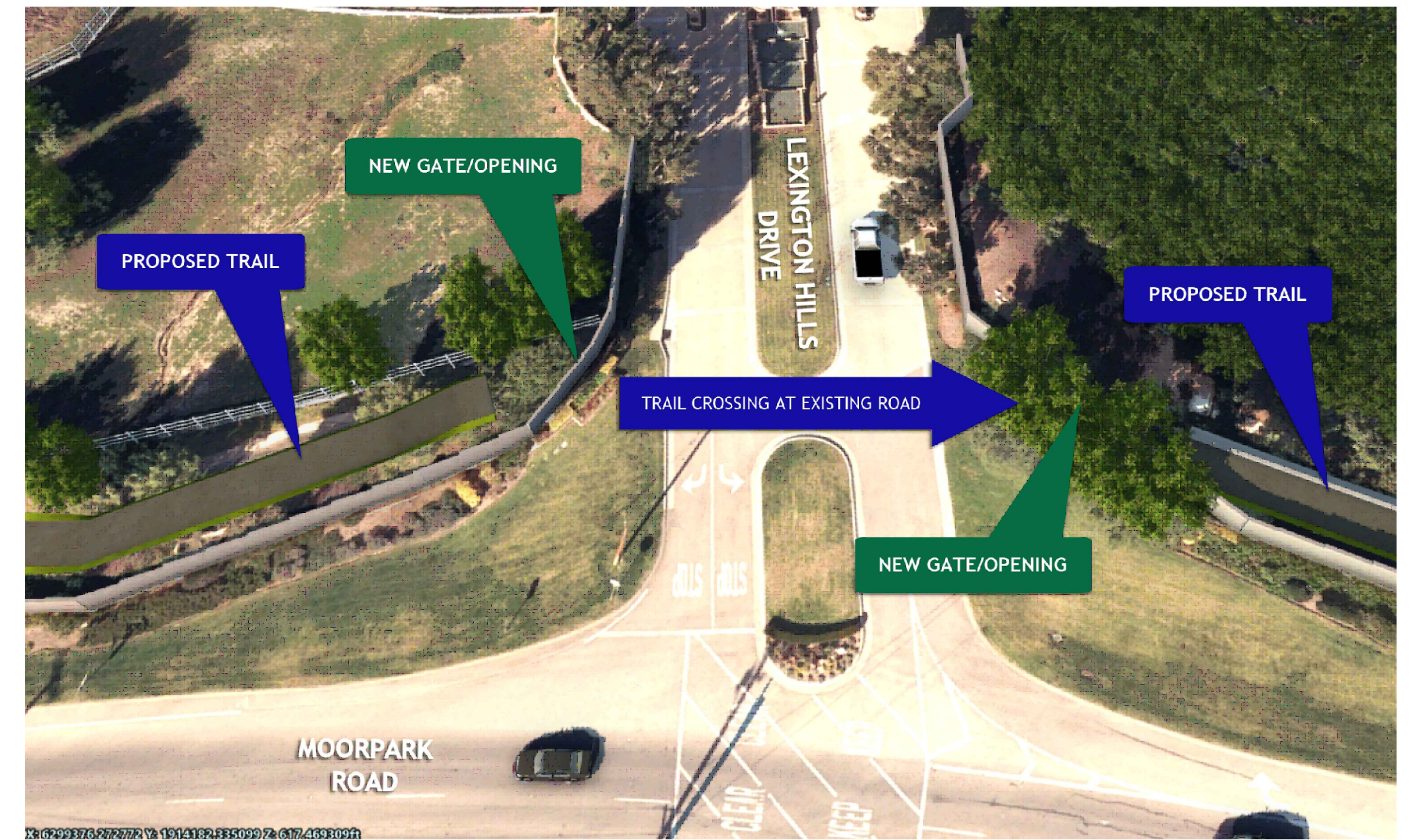
TRAIL CROSSING AT LEXINGTON HILLS DRIVE

SCALE: 1" = 40'



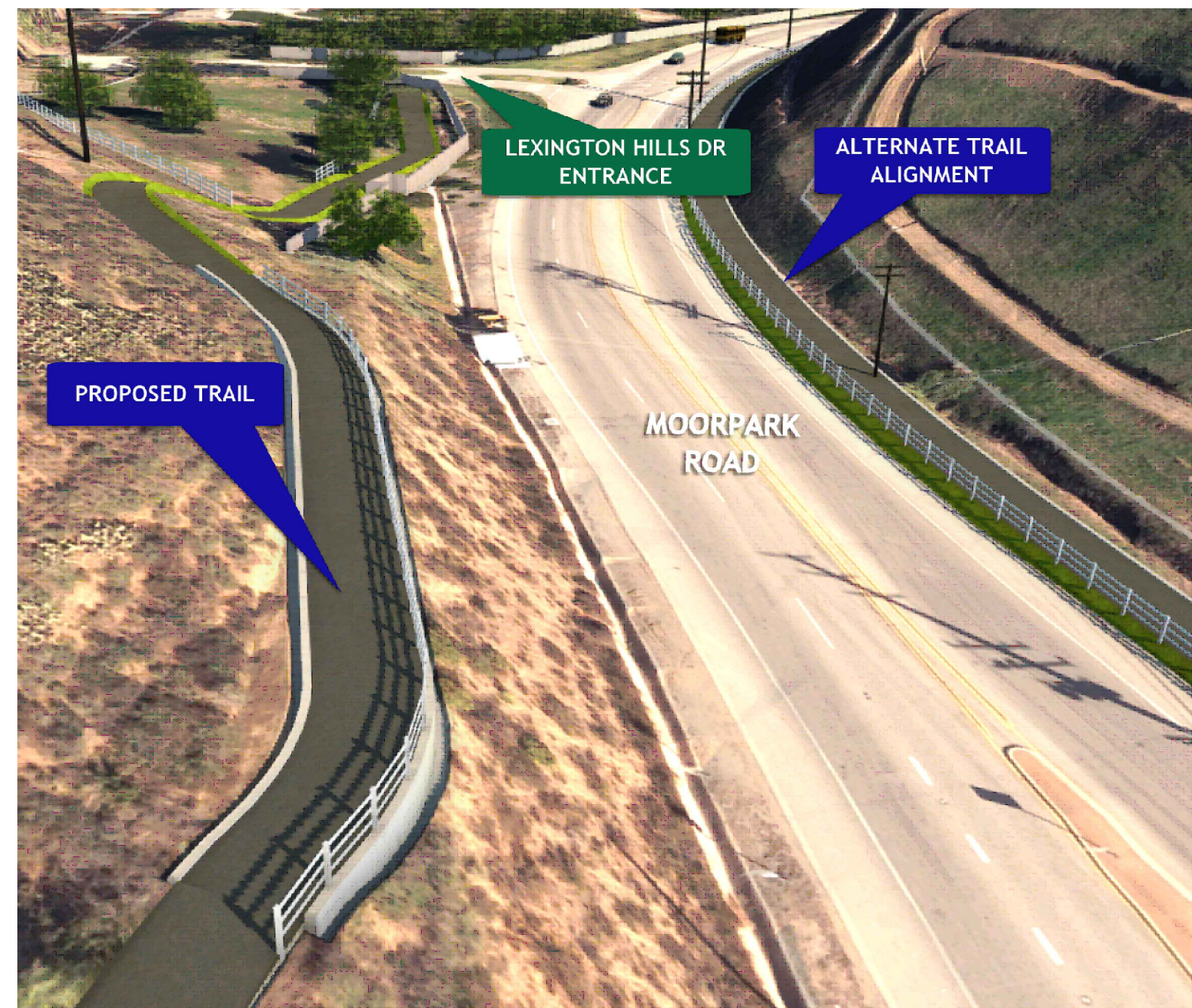
CONCEPTUAL PERSPECTIVE (LOOKING NORTH)

A2



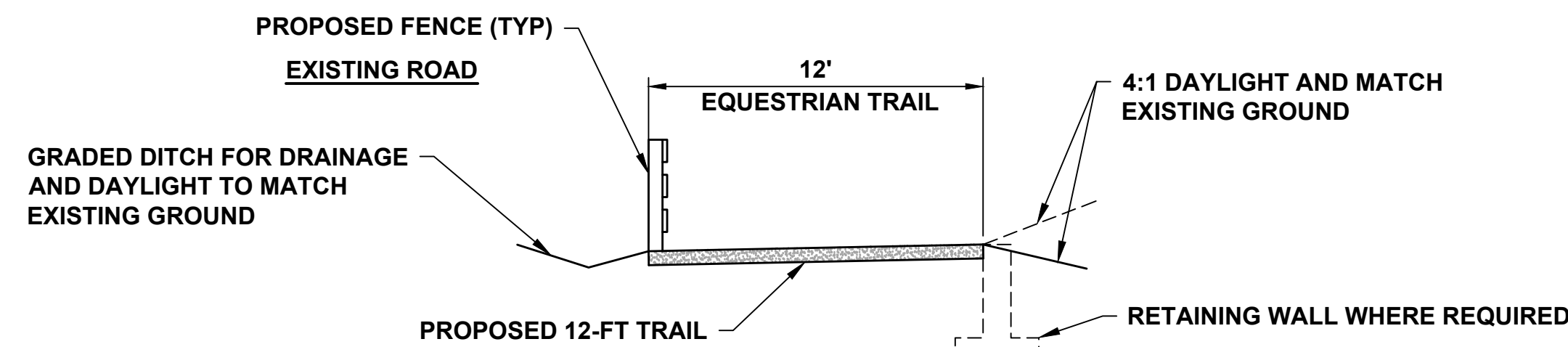
CONCEPTUAL PERSPECTIVE (LOOKING WEST)

A3




CONCEPTUAL PERSPECTIVE (LOOKING NORTHEAST)

A1



TYPICAL TRAIL CROSS SECTION

VERIFY SCALES
BAR IS ONE INCH ON ORIGINAL DRAWING
0 1
IF NOT ONE INCH ON THIS SHEET,
ADJUST SCALES ACCORDINGLY

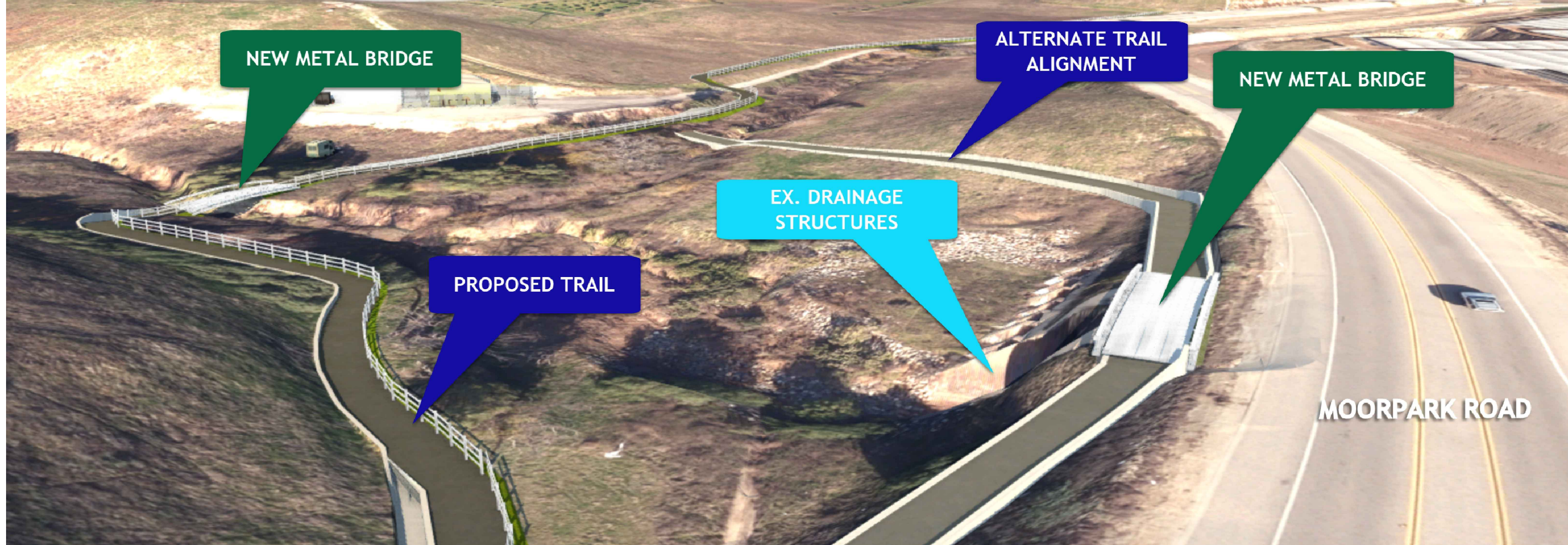
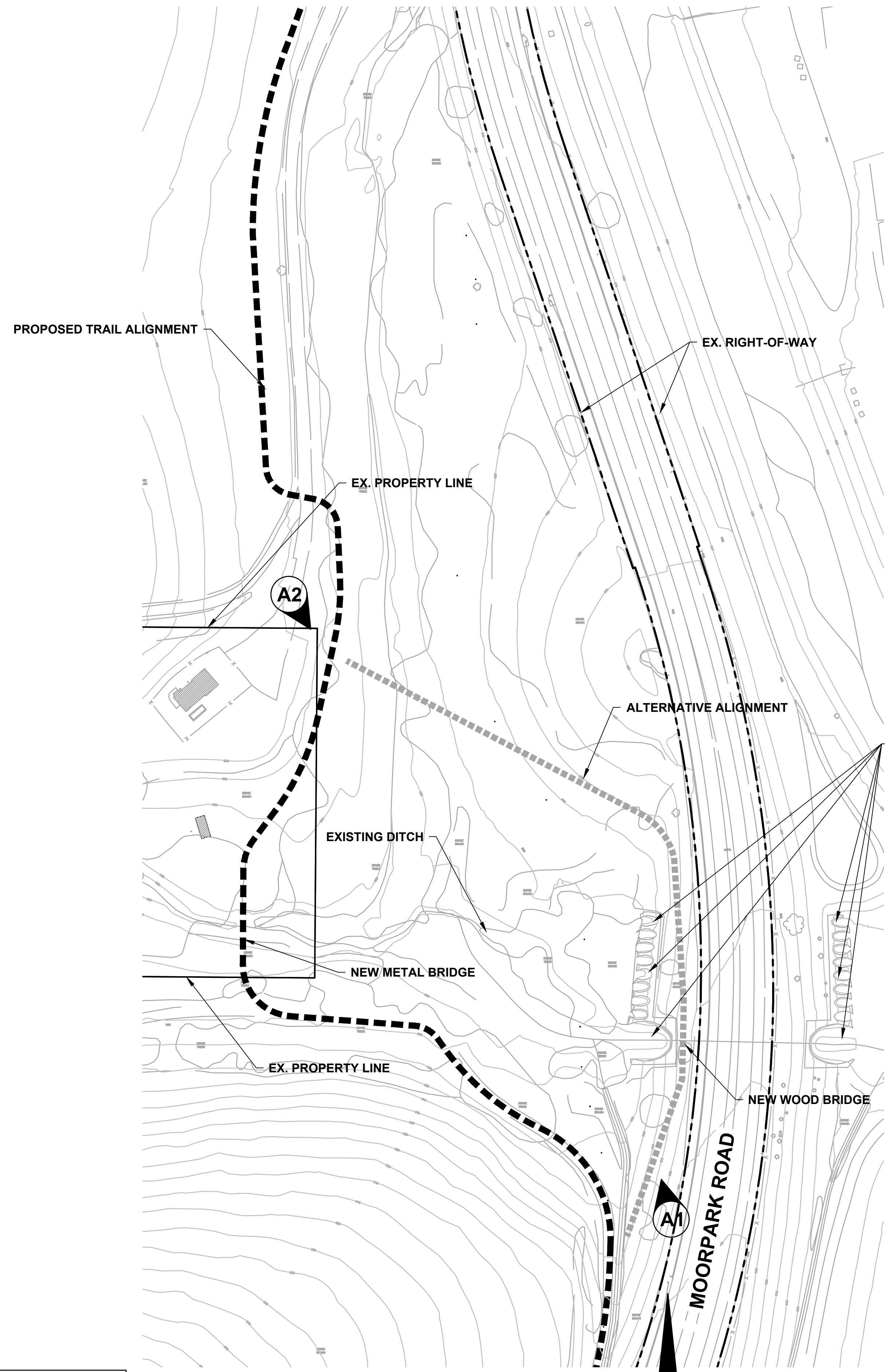
PHOENIX CIVIL ENGINEERING, INC.			
535 E. MAIN STREET SANTA PAULA, CA 93060 (805) 658-6800			
REGISTERED CE	60214	EXP.	DATE
REV.	SYM.	DESCRIPTION	R.C.E. DATE

MOORPARK WATERSHED, PARKS,
RECREATION, CONSERVATION AUTHORITY

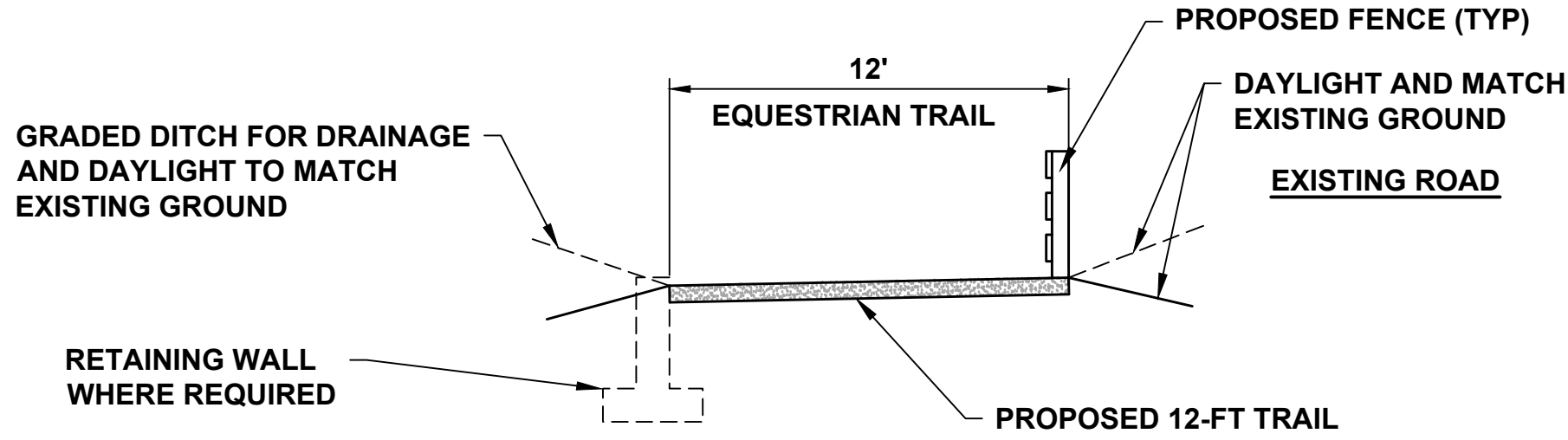
PEDESTRIAN/EQUESTRIAN TRAIL

EXHIBIT 3 - LEXINGTON HILLS DR

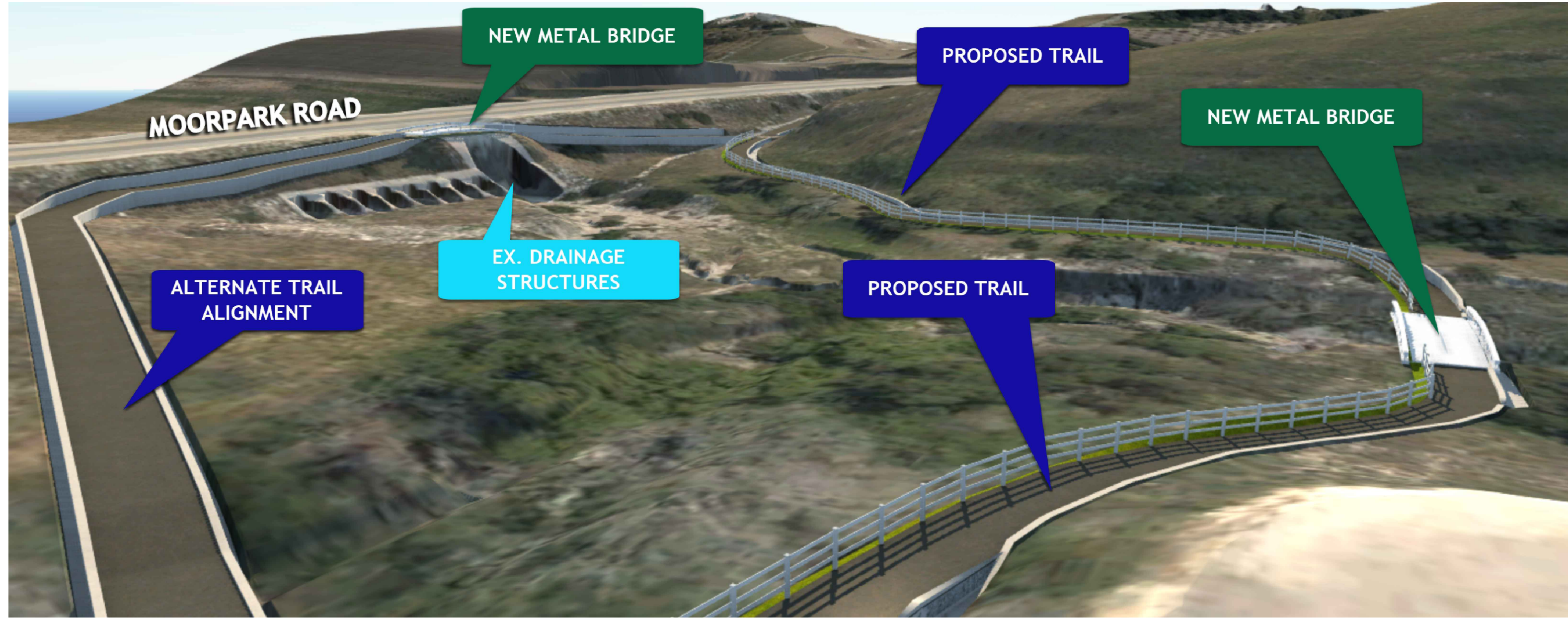
USER: chrisk.keck
 DWG: C:\Users\chrisk\OneDrive\Work\MPWPCA_Trial\CAD\IMPROVEMENTS\03-SHEET-LEXINGTON.dwg
 DATE: Jun 10, 2021 7:08am
 XREFS: bdy, 04220, 191611



CONCEPTUAL PERSPECTIVE (LOOKING NORTHWEST) **A1**



TYPICAL TRAIL CROSS SECTION



CONCEPTUAL PERSPECTIVE (LOOKING SOUTHWEST) **A2**

TRAIL CROSSING
SCALE: 1" = 60'

VERIFY SCALES
BAR IS ONE INCH ON ORIGINAL DRAWING
IF NOT ONE INCH ON THIS SHEET,
ADJUST SCALES ACCORDINGLY

USER: chris.keck
 DATE: Jun 10, 2021 7:07am
 XREFS: bdy, 04220
 19161.T1
 DWS: C:\Users\Chris\OneDrive\Work\Projects\WSPRCA_Trial\ACAD\IMPROVEMENTS\04-SHEET-NORTH_CROSSING.dwg

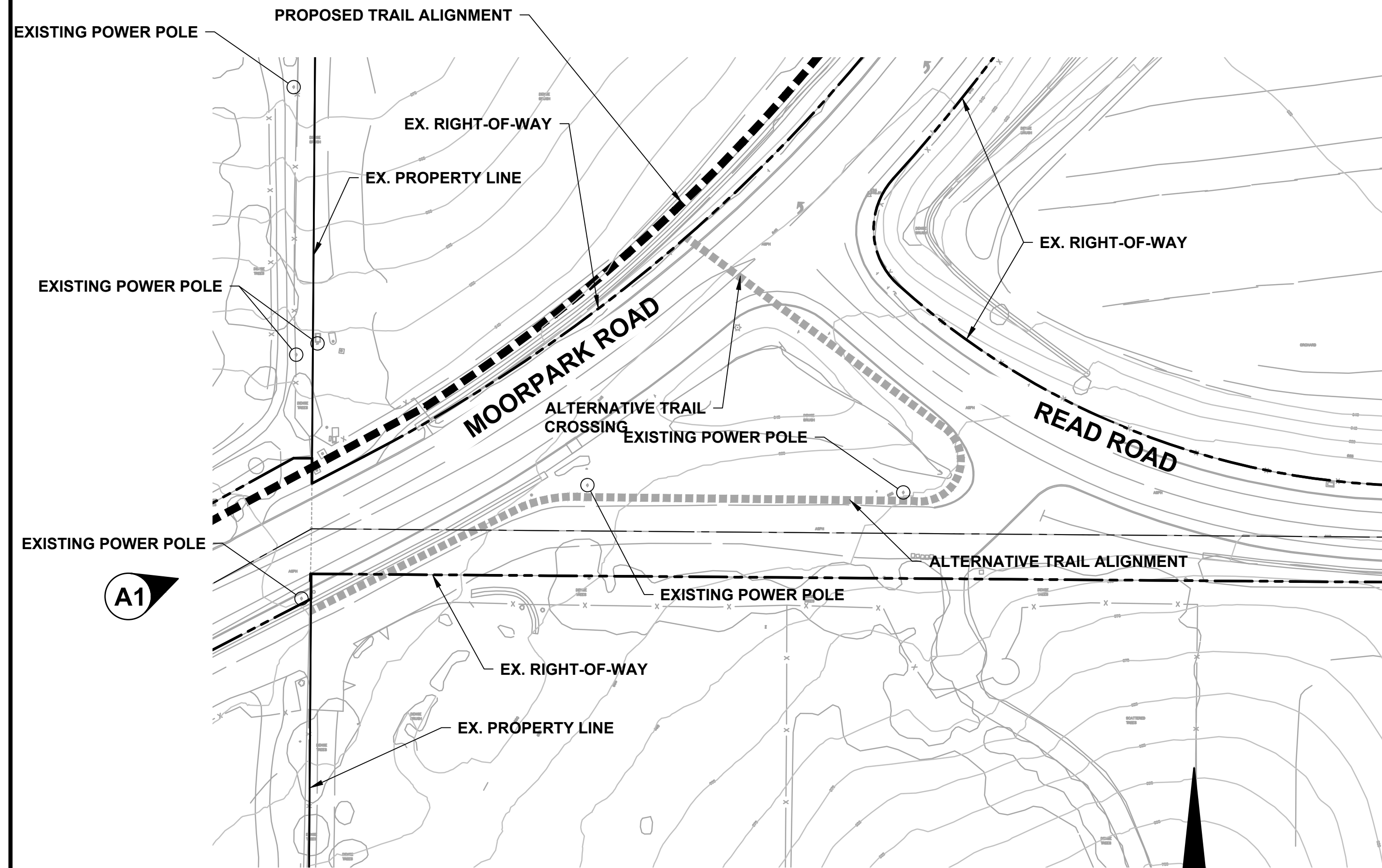
PREPARED BY: PHOENIX CIVIL ENGINEERING, INC. 535 E. MAIN STREET SANTA PAULA, CA 93060 (805) 658-6800				
REGISTERED CE	60214	EXP.	DATE	
REV.	SYM.	DESCRIPTION	R.C.E.	DATE



MOORPARK WATERSHED, PARKS,
RECREATION, CONSERVATION AUTHORITY

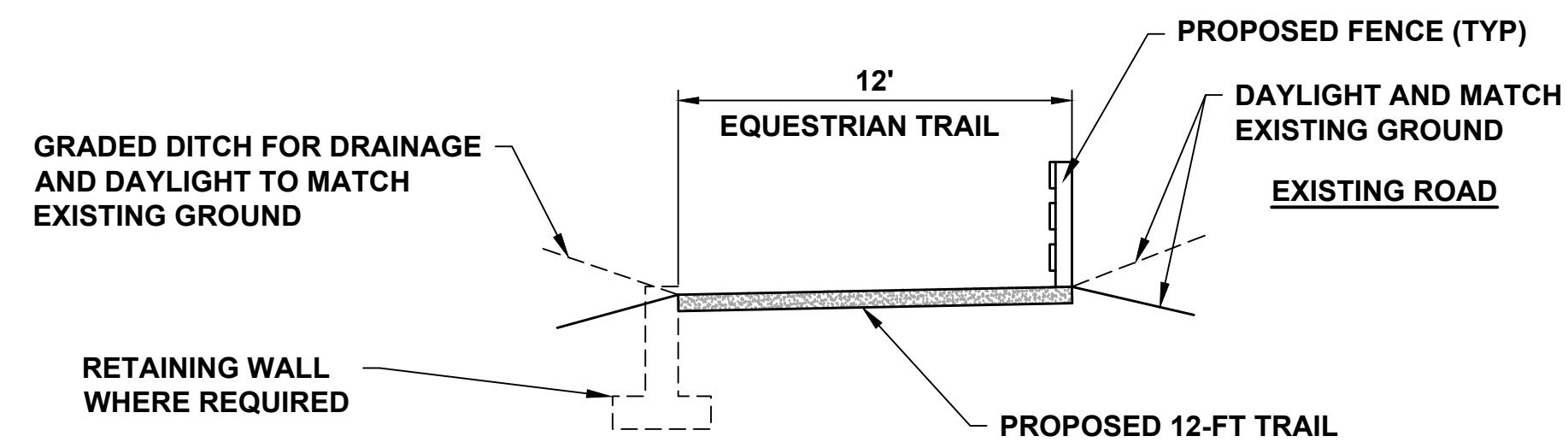
PEDESTRIAN/EQUESTRIAN TRAIL

EXHIBIT 4 - NORTH CROSSING

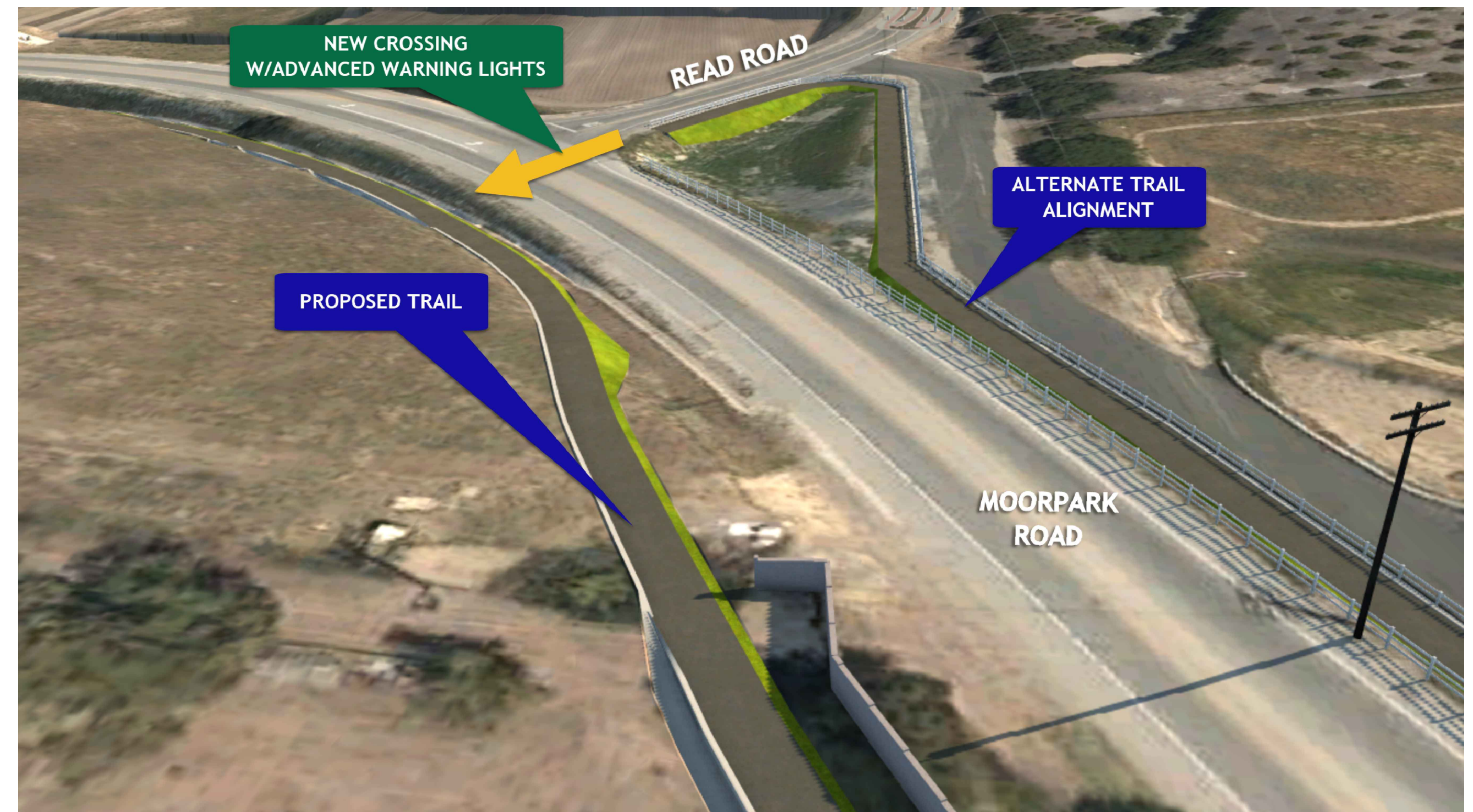


ALTERNATIVE TRAIL CROSSING

SCALE: 1" = 60'



TYPICAL TRAIL CROSS SECTION



CONCEPTUAL PERSPECTIVE (LOOKING NORTHEAST)

A1

USER: chriskleck
 DATE: Jun 10, 2021 7:09am
 DWS: C:\Users\chriskleck\Box\WMPRCA_Trail\ACAD\IMPROVEMENTS\05-SHEET-ALT_CROSSING.dwg
 XREFS: bdy, 04220, 191611

VERIFY SCALES
 BAR IS ONE INCH ON ORIGINAL DRAWING
 0 1
 IF NOT ONE INCH ON THIS SHEET,
 ADJUST SCALES ACCORDINGLY

PREPARED BY: PHOENIX CIVIL ENGINEERING, INC. 535 E. MAIN STREET SANTA PAULA, CA 93060 (805) 658-6800					
REGISTERED CE	60214	EXP.	DATE		
REV.	SYM.	DESCRIPTION	R.C.E.	DATE	

**MOORPARK WATERSHED, PARKS,
 RECREATION, CONSERVATION AUTHORITY**

PEDESTRIAN/EQUESTRIAN TRAIL

EXHIBIT 5 - ALT. CROSSING